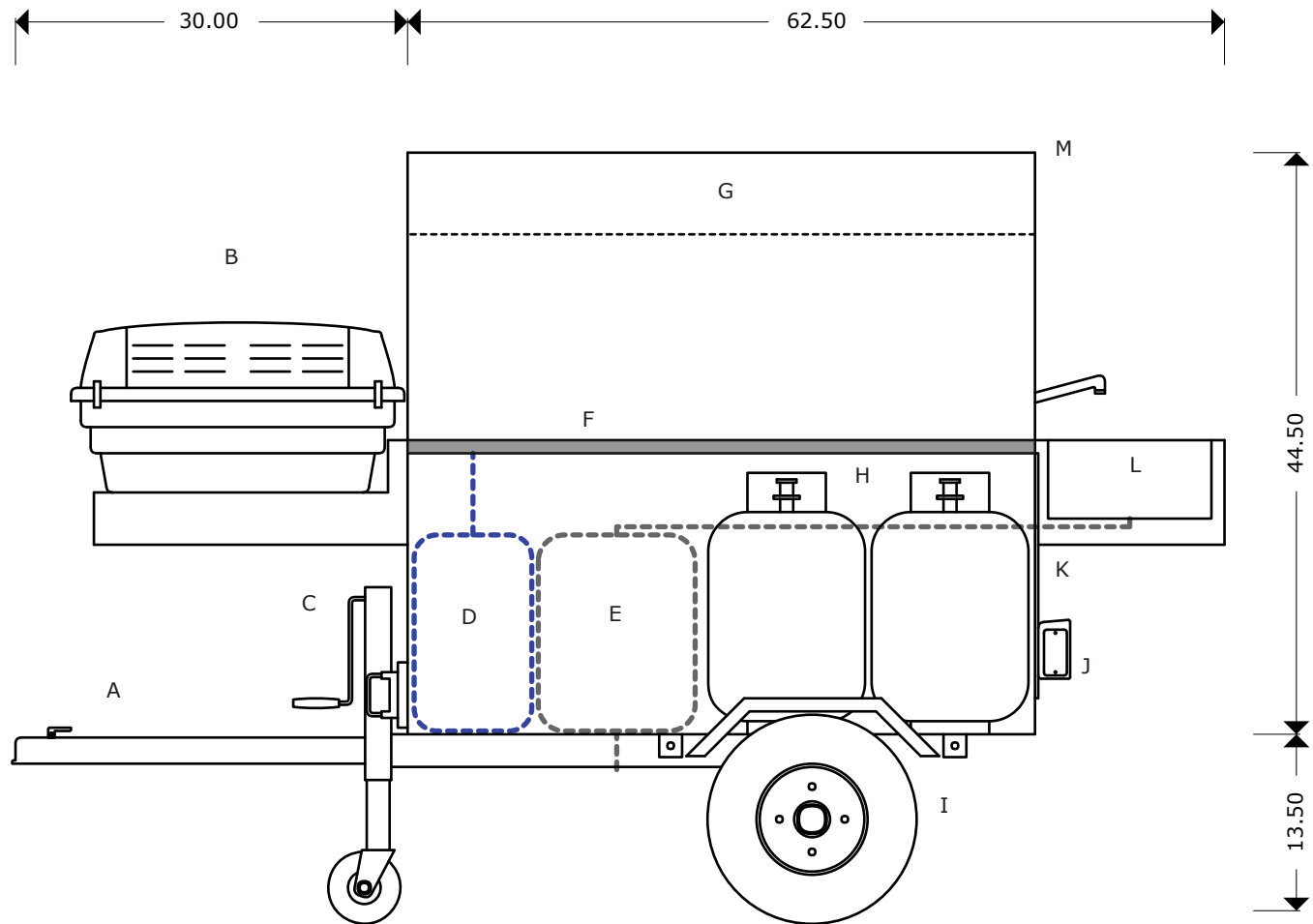


LIGHTNING BOLT GRILL

Hot Dog
Cart Company

Left Side View:

734-507-1212



- A-TOW BAR w/BALL COUPLER
- B-GRILL
- C-WHEEL LEVELING JACK
- D-5 GAL FRESH WATER TANK
- E-7 GAL WASTE WATER TANK
- F-CUSTOMER PREP SHELF
- G-INTERIOR STORAGE SHELF
- H-20 LB PROPANE TANKS
- I-TIRE/FENDER
- J-TAIL LIGHT
- K-SIDE ACCESS DOOR
- L-SINK
- M-BI-LEVEL BREADBOX

- Cold water line
- Hot water line
- Gas line
- Wastewater line