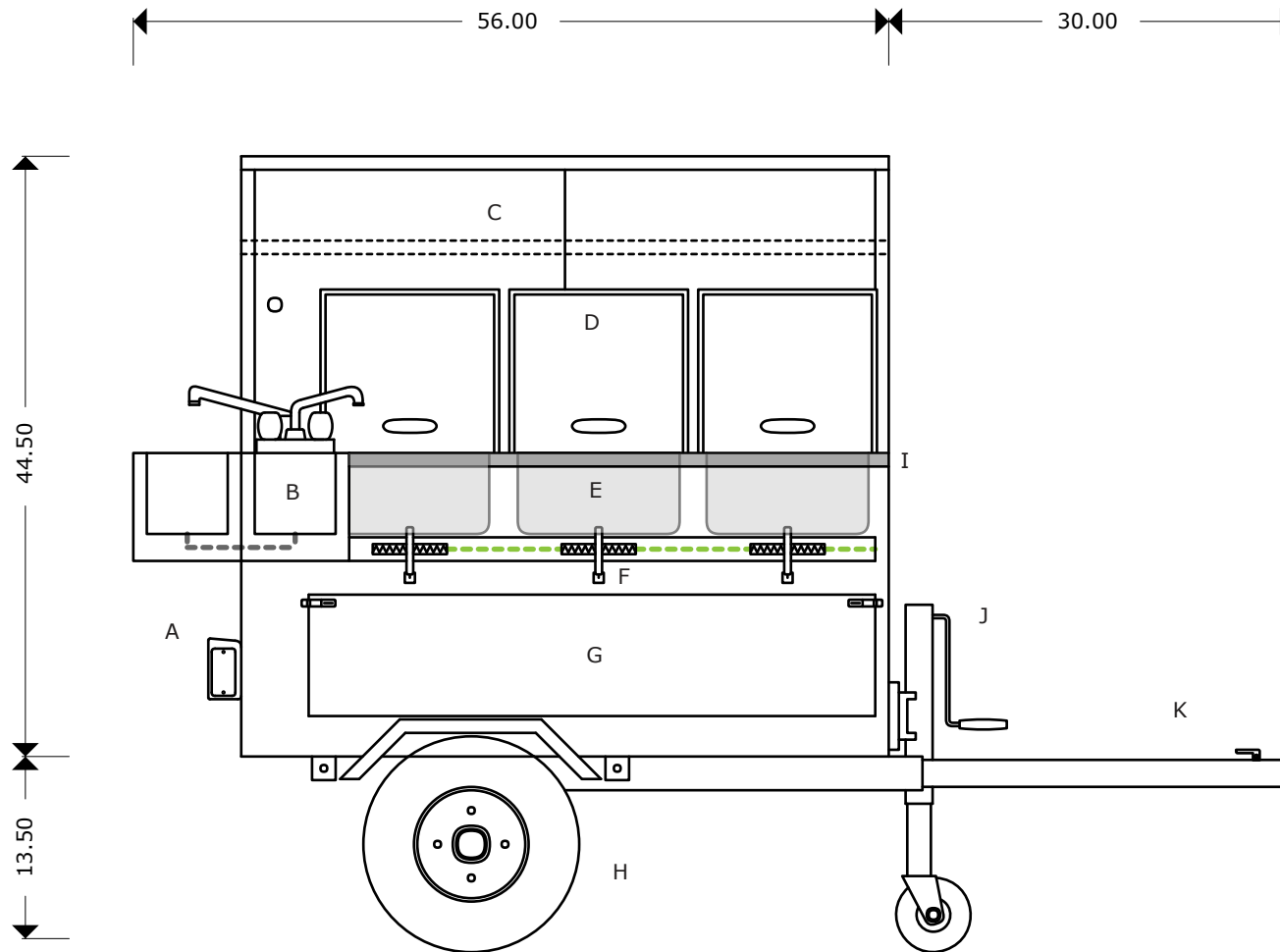


LIGHTNING BOLT

Hot Dog
Cart Company

Right Side View:

734-507-1212



- A-TAIL LIGHT
- B-SINK
- C-STORAGE SHELF
- D-ROLL TOP
- E-STEAM PAN
- F-BURNER CONTROL/BURNER
- G-SIDE ACCESS DOOR
- H-TIRE 4.8x12 STANDARD
- I-VENDOR PREP SHELF
- J-WHEEL LEVELING JACK
- K-TOW BAR w/BALL COUPLER

- - - - - Cold water line
- - - - - Hot water line
- - - - - Gas line
- - - - - Wastewater line