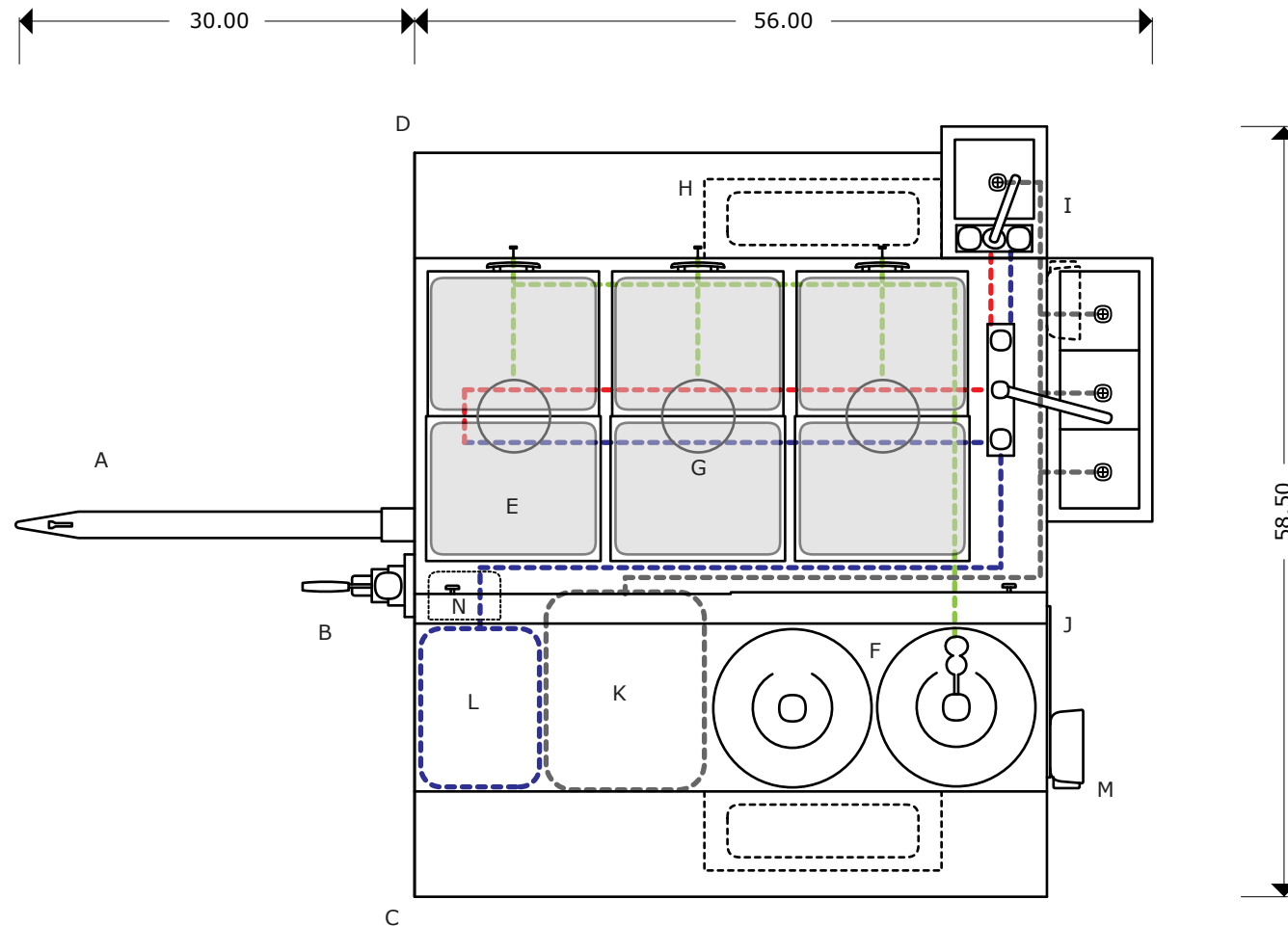


LIGHTNING BOLT

Hot Dog
Cart Company

Top View:

734-507-1212



- A-TOW BAR w/BALL COUPLER
- B-WHEEL LEVELING JACK
- C-CUSTOMER SHELF
- D-VENDOR PREP SHELF
- E-STEAM PAN
- F-20 LB PROPANE TANKS
- G-BURNER
- H-FENDER/TIRE
- I-SINKS
- J-SIDE ACCESS DOOR
- K-7 GAL WASTE WATER TANK
- L-5 GAL FRESH WATER TANK
- M-TAIL LIGHT
- N-WATER PUMP

- Cold water line
- Hot water line
- Gas line
- Wastewater line