

LIMO FULLY LOADED CART

Features

Details

Specs

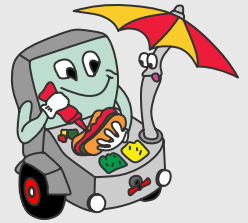
Schematics



FEATURES

- COMMERCIAL GRIDDLE
- COMMERCIAL FRYER
- DOUBLE STEAM TABLE
- 4 STEAM PANS/LIDS
- REFRIGERATOR
- HOT + COLD WATER
- 4 SINKS
- 2 SWIVEL FAUCETS
- 12V WATER PUMP
- 2.5 GAL. HOT WATER TANK
- 2.5 GAL. COLD WATER TANK
- 7 GAL. WASTE WATER TANK
- BI-COLOR STEEL CANOPY
- 1000 LBS. WHEEL LEVELING JACK STAND
- TOWABLE TRAILER
- 1 7/8" BALL COUPLER
- 2 SAFETY CHAINS
- OPERATOR MANUAL
- SCHEMATICS (for Health Dept. review)
- ONE YEAR WARRANTY

"Going places!"



**Hot Dog
Cart Company**

4497 Springbrook Rd.
Jackson, MI 49201



734-507-1212

DETAILED DESCRIPTIONS

GRIDDLE

The griddle on the Limo Fully Loaded is a 56,000 BTU, two burner commercial grade LP gas griddle. It has a 3/4" thick, polished steel plate that measures 24" x 24". It can sustain high temperatures for a long period of time as well as maintain accurate temperatures due to its stainless steel, double wall construction. It has a stainless steel bull nose front that protects the knobs and you. This unit is useful for a variety of applications, from breakfast, lunch and dinner in addition to other services.

FRYER

The propane fryer is a 90,000 BTU fryer with a 35-40 lb. shortening capacity. It has a manual control with a pilot light and is equipped with twin baskets and a front access door.

STEAM TABLE

The steam table consists of two large cast iron burners with individual shut-off valves. It includes two 1/2 size pans three 1/3 size pans. The pans are 6" deep with solid lids. You can steam, boil or heat up food items of your choice such as hot dogs, hot dog buns, chile, etc. Alternative configurations are available. Pans are easily removable for cleaning and maintenance. All pans and lids are NSF approved and listed.

SINKS

The hot dog cart has four sinks and two swivel faucets with hot and cold water for handwashing, washing, rinsing, and sanitizing.

WATER STORAGE

The Limo Fully Loaded hot dog cart has two 2 1/2 gal. fresh water tanks (one for cold water and one for hot water) and a 7 gal. waste water tank.

REFRIGERATION UNIT

The Limo Fully Loaded hot dog cart is equipped with an electrical refrigeration unit to store perishable foods as required by law. 12V refrigeration units are also available.

CONDIMENT TRAY

The condiment extension on the hot dog cart accommodates 5 pans with slotted lids. The stainless steel condiment box is sealed, so you can add ice underneath the pans. Here, you can offer a variety of condiments such as diced onions, relish, pepper rings etc.. Pans and lids are NSF approved and listed.

STORAGE

There are two storage compartments on the Limo Fully Loaded hot dog cart, accessible by hinged access doors with safety latches.

The storage compartment in the front under the steam table is ideal for storing food items such as hot dog buns. The area in the back is perfect for dry goods such as extra napkins, foil, paper bags, straws, etc.

CANOPY

The steel canopy on the Limo Fully Loaded hot dog cart is red and yellow but can be painted with color(s) of your choosing. It can be used for menus, magnets and more.

HEATING SOURCE

The griddle, the fryer and the steam table on the Limo Fully Loaded hot dog cart run on propane, which is stored neatly in an easily accessible steel fence cage at the front of the trailer. It holds two 20 lb. tanks (not included). The propane line has a dual-stage regulator.

TRAILER

The hot dog cart rests on a D.O.T.-approved heavy-duty trailer (title available) with baked enamel finished. The leaf spring suspension system allows you to tow it at freeway speeds with safety. The tire size is 4.8" x 8" standard.

TOWING BAR

The tow bar hitch on the hot dog cart is removable, increasing the approachability of the cart and reducing potential safety issues. It is equipped with a 1 7/8" ball coupler with two safety chains. An optional 2" ball coupler is available.

LIGHTS

The lights on the hot dog cart are tail, stop, signals and hazards. The wiring harness for the lights is male. The lights come with a license plate holder.

WHEEL LEVELING JACK

Keep your hot dog cart on the level with this easy-to-use 1500 lb. capacity swing-back trailer jack. With the swing-back style there's no need to remove the jack when hauling the hot dog cart, just fold it back and away. The trailer jack has a side crank handle to level it.

SPECIFICATIONS

CART BODY	L 90" x W 30" x H 79" 18-gauge stainless steel construction
TRAILER	L 144.5" x W 42" x H 92.5" 1 7/8" ball coupler 2 safety chains
SUSPENSION	Highway rated 1/2 ton leaf suspension
TIRES	4.8" x 8" standard
ELECTRICAL	Tail, stop, signal, hazards Male wiring harness installed
LEVELING JACK	1500 LB capacity wheel leveling jack
SINKS	4 sinks Wash, rinse, sanitize, handwashing
FRESH WATER TANK	2.5 GAL hot water 2.5 GAL cold water
WASTE WATER TANK	7 GAL
COLD STORAGE	Refrigerator

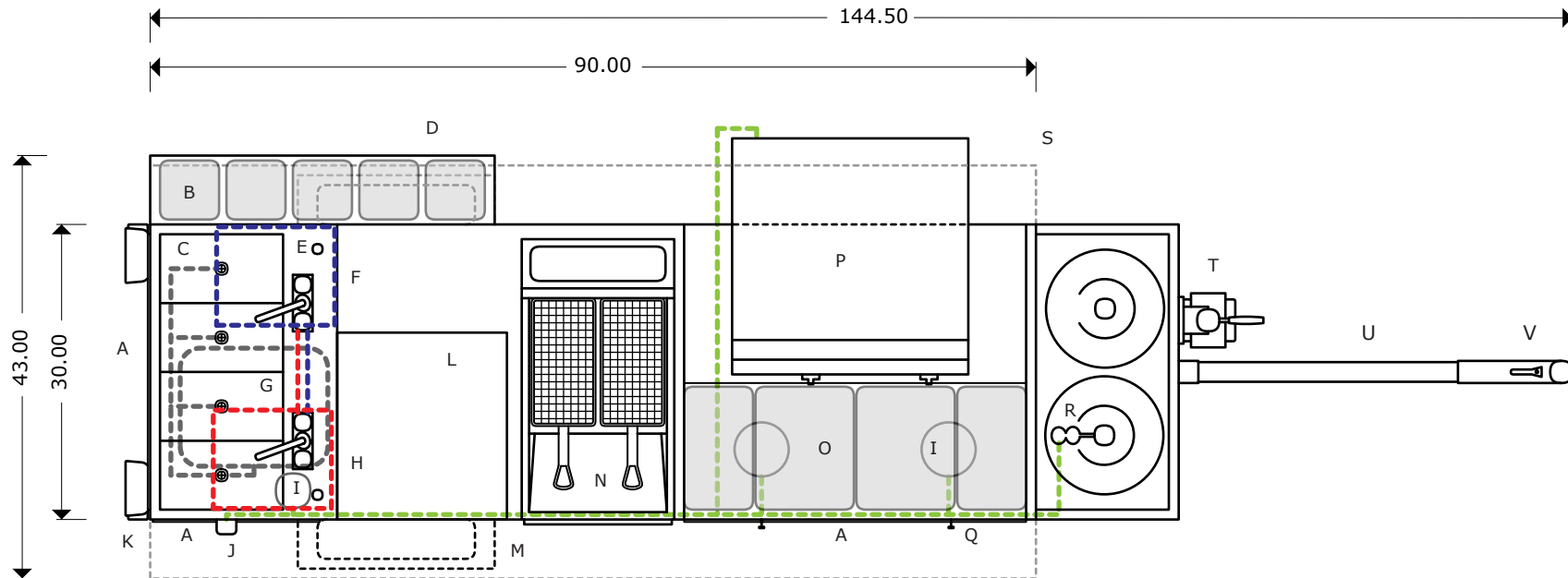
DRY STORAGE	2 interior compartments
STEAM PANS	4 - 1/3 size (7"x12"x6") 1 - 1/2 size (10"x12"x6") 5 lids 4 separator bars
BURNERS	2 - 19,000 BTU burners w/adjustable controls (steam table) 1 - 19,000 BTU burner w/adjustable control (hot water tank)
GRIDDLE	56,000 BTU 2 burner LP gas
FRYER	90,000 BTU 35-40 lb. shortening capacity
PROPANE	2 - 20 LB propane tanks (not incl.) Dual-stage propane regulator
CANOPY	Bi-color steel
STANDARD FEATURES	Hot and cold water Swivel faucets
ADD'L EQUIPMENT OPTIONS	Additional canopy colors avail. 2" ball coupler

SCHEMATICS

LIMO FULLY LOADED

Top View

Hot Dog Cart Company



- | | |
|---------------------------|---|
| A-SIDE DOOR ACCESS | N-FRYER |
| B-CONDIMENT CONTAINER | O-STEAM PAN (4) |
| C-SINK (4) | P-GRIDDLE |
| D-CONDIMENT TABLE | Q-SHUT-OFF VALVE |
| E-WATER INTAKE VALVE | R-20 LB PROPANE TANK
w/PROPANE REGULATOR |
| F-2.5 GAL COLD WATER TANK | S-ROOF LINE |
| G-7 GAL WASTE WATER TANK | T-WHEEL LEVELING JACK
w/DUAL TIRES |
| H-2.5 GAL HOT WATER TANK | U-TOW BAR |
| I-BURNER | V-TRAILER HITCH w/1 7/8" BALL
COUPLER |
| J-BURNER CONTROL | |
| K-TAIL LIGHT-REFRIGERATOR | |
| M-FENDER/TIRE | |

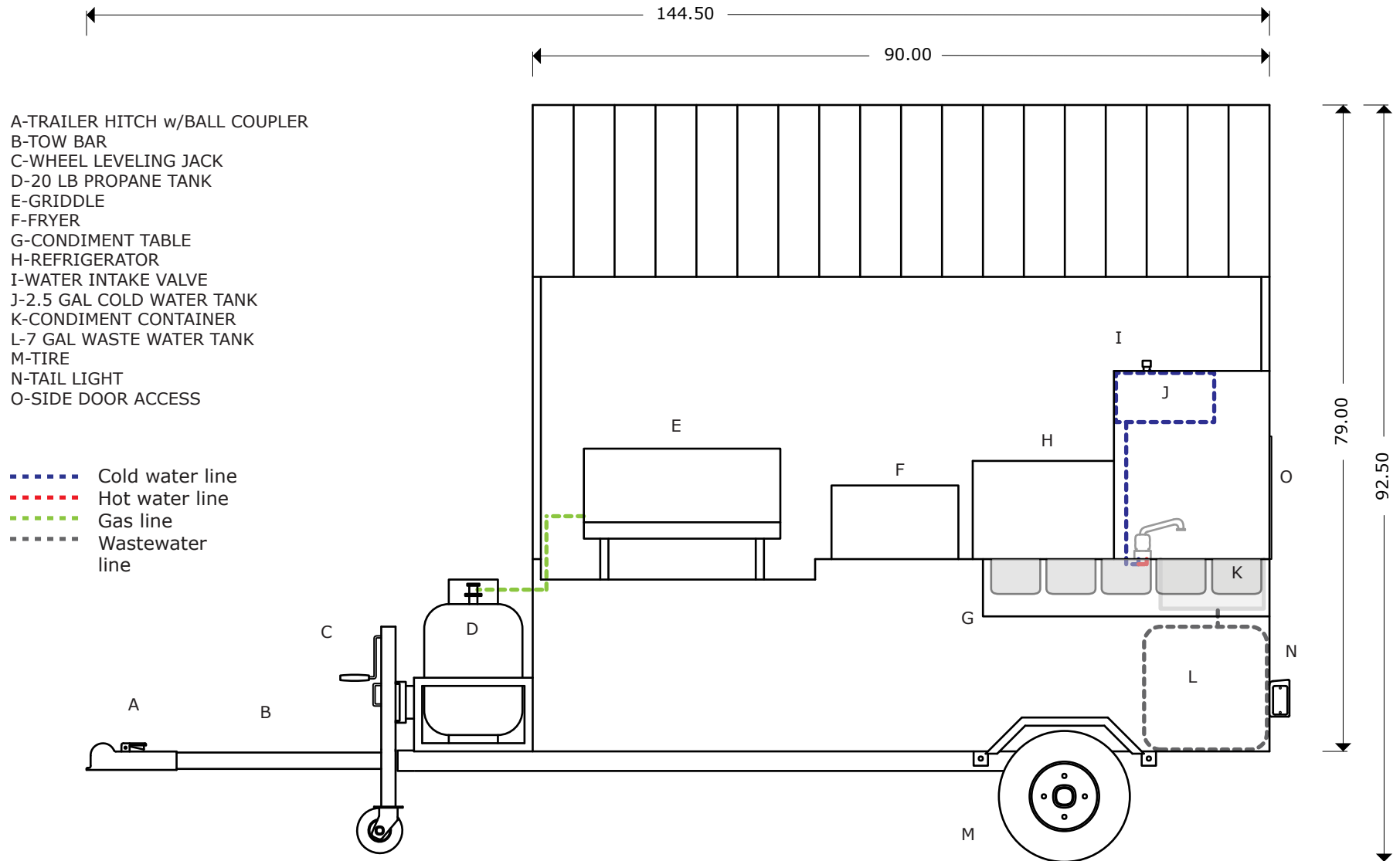
- - - - - Cold water line
- - - - - Hot water line
- - - - - Gas line
- - - - - Wastewater line

SCHEMATICS

LIMO FULLY LOADED

Hot Dog
Cart Company

Left Side View



SCHEMATICS

LIMO FULLY LOADED

Right Side View

**Hot Dog
Cart Company**

